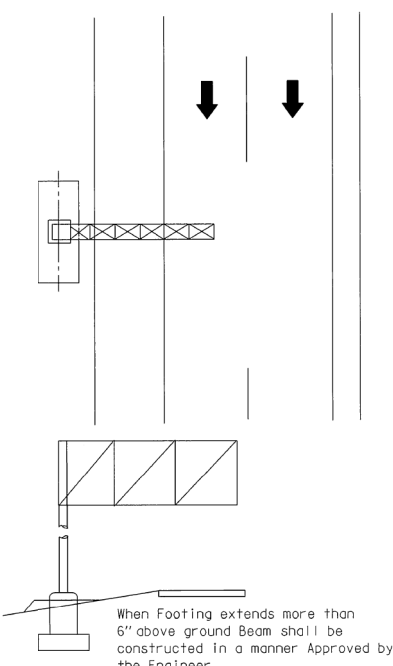
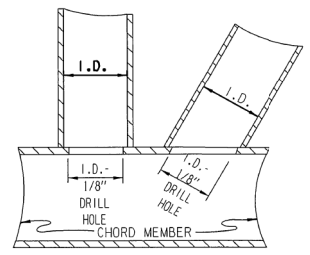


MAXIMUM SIGN AREA
10'-0" x 22'-0" = 220 FT²

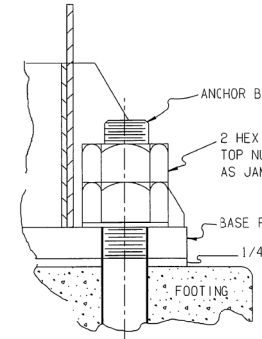
LONG SWEEP BEND 2" CONDUIT 24" RADIUS & ONE 2" DRAIN TEE TO BE SWEEPED TOWARD THE OUTSIDE EDGE OF ROADWAY TO BE USED FOR CABLE FROM POWER SOURCE



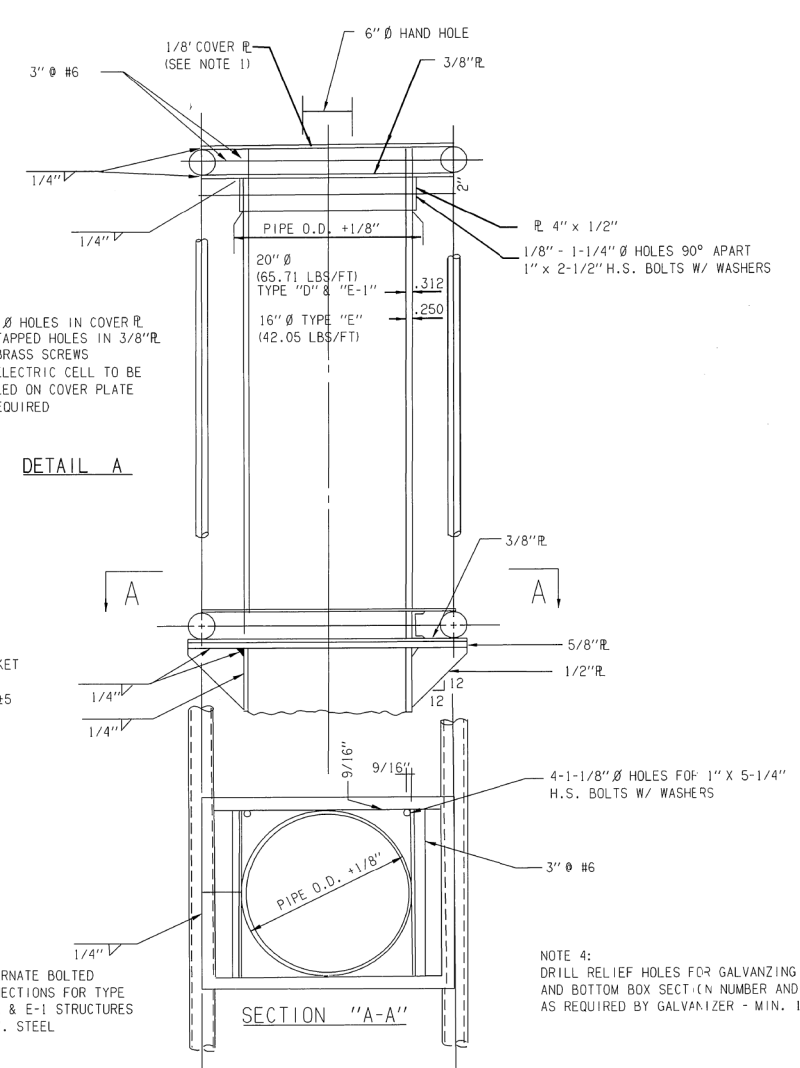
TYPICAL FOOTING PLACEMENT



RELIEF HOLES FOR GALVANIZING REQUIRED AT ALL TUBULAR STRUT CONNECTIONS. HOLES SHALL BE DRILLED. HOLES SHALL BE 1/8" SMALLER THAN INSIDE DIAMETER OF THE STRUT MEMBER TO BE AFFIXED AT THAT LOCATION EXCEPT THAT NO HOLE SHALL BE LESS THAN 1/2" HOLE SHALL ANGLE DRILLED AT DIAGONAL MEMBER CONNECTION.



BOLTING DETAIL
DETAIL "H"

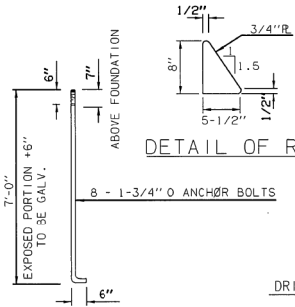


NOTE 1:
6-5/16" Ø HOLES IN COVER PLATE
6-1/4" TAPPED HOLES IN 3/8" R
6-1/4" BRASS SCREWS
PHOTO ELECTRIC CELL TO BE INSTALLED ON COVER PLATE WHEN REQUIRED

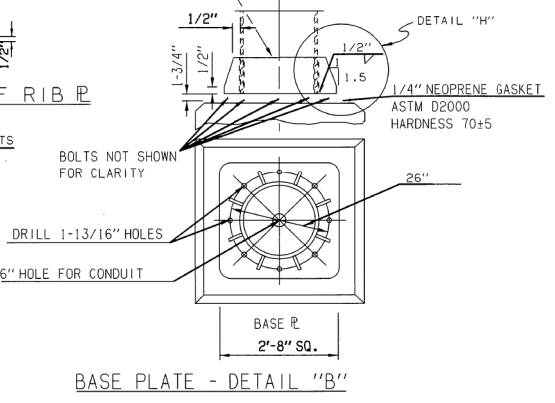
DETAIL "A"

NOTE 4:
DRILL RELIEF HOLES FOR GALVANIZING IN TOP AND BOTTOM BOX SECTION NUMBER AND SIZE AS REQUIRED BY GALVANIZER - MIN. 1/2" D.

ANCHOR BOLT
DETAIL "D"

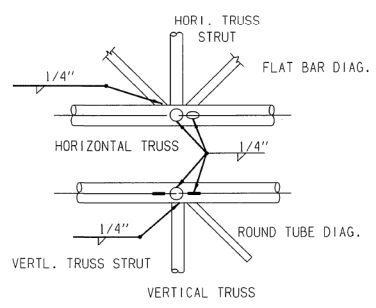


DETAIL OF RIB P



BASE PLATE - DETAIL "B"

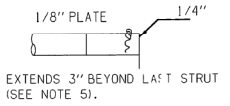
SPACE PLATE MAY BE POSITIONED EITHER BELOW OR ABOVE REINFORCING STEEL IN LOWER PORTION OF FOOTING (SEE DETAIL LEFT).



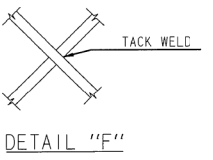
PANEL POINT - DETAIL "E"

NOTE 2:
FOR O.H. WALKWAY, ELECTRICAL, AND HANDHOLE DETAILS; SEE STANDARD OWE14(LATEST REVISION).

NOTE 3:
STEEL TUBING SHALL BE "ASTM A512 AND/OR A513."
STEEL PIPE SHALL BE "A53 GRADE B".
ALL OTHER STEEL SHALL BE "A-36".

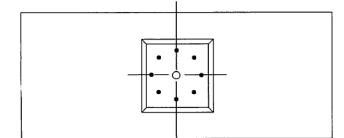


CHORD SEAL - DETAIL "G"

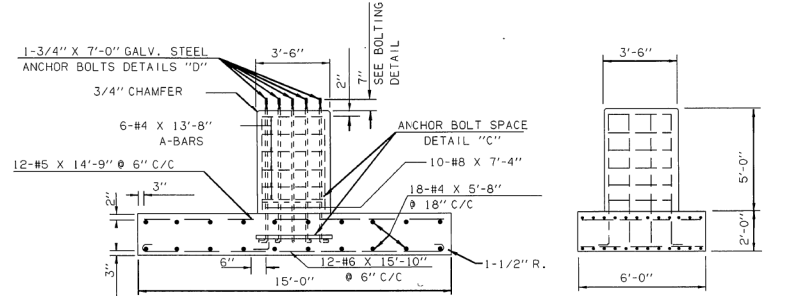


DETAIL "F"

NO SPLICES SHALL BE PERMITTED ON ANY STRUCTURE MEMBERS



ANCHOR BOLT PATTERN AS SHOWN IN BASE PLATE DETAIL



FOOTING DETAILS

REINFORCING STEEL = 788 LBS
CLASS "A" CONCRETE = 8.94 CY

ANCHOR BOLT SPACE PLATE - DETAIL "C"

DESIGN		1-44 & US-62 INTERCHANGE
DRAWN		
CHECKED		
APPROVED		
SQUAD	GARVER	STATE JOB NO. 27050(04) SHEET NO. 139

TRUSS DETAILS
(SHEET 1 OF 3)